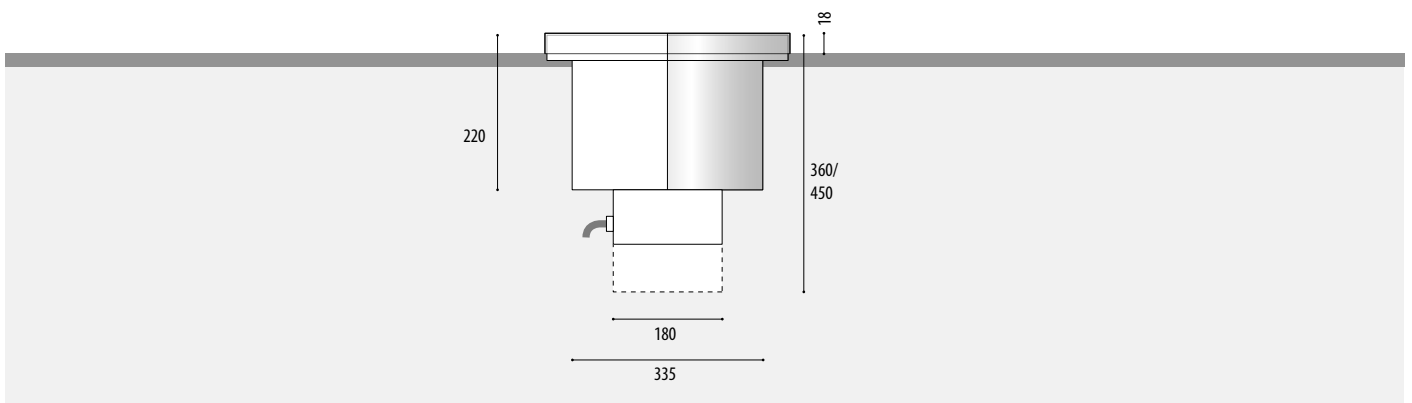
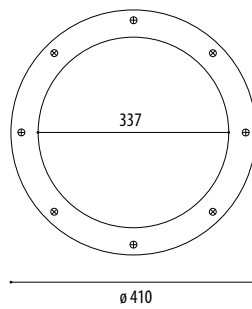




RECESSED SPOTLIGHT 4.4100

EXTERIOR

IP67



Article number	Lamps	Wattage	Voltage	Socket	Temperature	Radation angle	Cable	[V]
SYMMETRIC REFLECTOR, CLEAR TEMPERED GLASS LENS								
4.4100.00.25	HIE	250W	230V	E40	160°C	80°	Si, 3x2,5 qmm	L76
4.4100.00.26	HSE-MF	250W	230V	E40	150°C	80°	Si, 3x2,5 qmm	R75
4.4100.00.28	HSE-MF	150W	230V	E40	145°C		Si, 3x2,5 qmm	R74
4.4100.00.40	HSE-MF	400W	230V	E40	180°C	80°	Si, 3x2,5 qmm	R76
4.4100.00.41	HIE	400W	230V	E40	170°C	80°	Si, 3x2,5 qmm	L77
ASYMMETRIC REFLECTOR, CLEAR TEMPERED GLASS LENS								
4.4100.01.25	HIE	250W	230V	E40	160°C	80°	Si, 3x2,5 qmm	L86
4.4100.01.26	HSE-MF	250W	230V	E40	150°C	80°	Si, 3x2,5 qmm	R85
4.4100.01.28	HSE-MF	150W	230V	E40	145°C		Si, 3x2,5 qmm	R84
4.4100.01.40	HSE-MF	400W	230V	E40	180°C	80°	Si, 3x2,5 qmm	R86
4.4100.01.41	HIE	400W	230V	E40	170°C	80°	Si, 3x2,5 qmm	L87



4.4100 | RECESSED SPOTLIGHT

FOR WIDE ILLUMINATION BUILDINGS AND OUTDOOR FACILITIES.


IP67
STAINLESS STEEL V4A
1.4571
316Ti
230 V
EXCL
CABLE EXCL
650kg
↑
↓
⏏
CE



- Protection system IP67
- Entirely made of stainless steel 316Ti 1.4571
- ...
- HIE, HSE
- Marine grade 316Ti stainless steel reflector
- ...
- Temperature-resistant silicon seal
- Toughened safety glass (ESG) – withstands loads of up to 650 kg
- Cable gland PG 16/24, nickel-plated brass
- With integral ballast device
- Supplied without light source and without cable

+ ADDITIONAL PARTS


 anti-glare louver
4.0008.01.00


 glass disc, frosted
 for softer light distribution (light loss approx. -15%)
4.0230.41.00

Power supplies Technical details see from page 234.

Integrated
Integrated
Integrated
Integrated
Integrated


Integrated
Integrated
Integrated
Integrated
Integrated

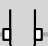
🔄 OPTIONS

IP68 Protection system IP68 (fully ready for operation with light source and cables)

CUSTOM MADE Round attachment cover available

CUSTOM MADE special designs available

 Coloured HIT light sources available

 Please order the double cable gland for ring assembly separately