



- › Extremely robust and powerful spotlight
- › Metal halide lamps with up to 90000 lumen
- › Perfect for ship docks and high water fountains



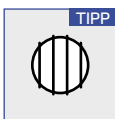
4.2202 | SURFACE DOCK-LIGHT

FOR USE AT SHIP-DOCKS, RAW SEA AND FOR SPECIAL SOLUTIONS,
IN FOUNTAINS AND HIGH WATERJETS.



- Protection class IP68 – up to 5 m water depth
- Entirely made of stainless steel 316Ti 1.4571
- Cover is made of bronze
- Mounting foot adjustable through 180°
- ...
- metal halogen vapour lamps
- ...
- toughened safety glass which is resistant to temperature changes
- Supplied completely ready for connection, with ballast device and ignition device, light source and silicon cable (10 m)
- inclusive pivoting/standing frame

+ ADDITIONAL PARTS



TIPP Protective grille
made of V4A-stainless steel
4.2001.00.00



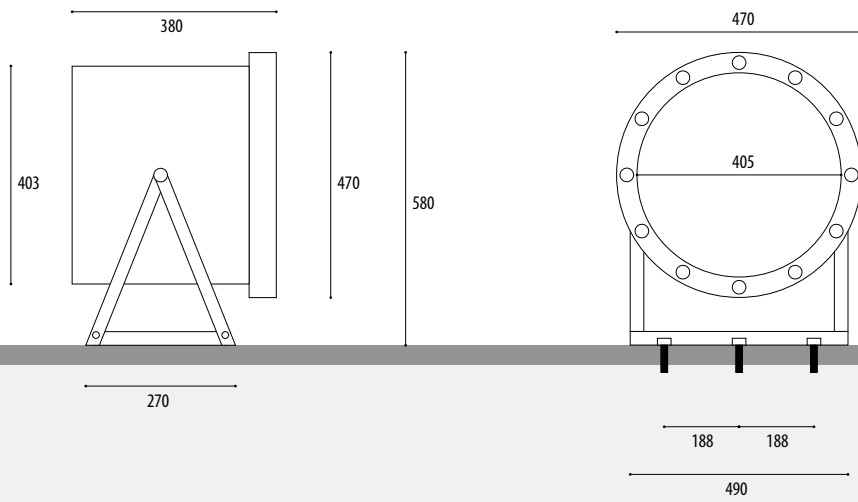
SURFACE SPOTLIGHT

4.2202



UNDERWATER | EXTERIOR

IP68



Article number	Lamps	V/mA	Socket	Light-current	Wattage	Cable, installs	[V]
VERSIONS: UNDER- AND OVERWATER OPERATION (ACCORDING TO PRIOR AGREEMENT)							
FLOOD							
4.2202.00.00	HIT (E40)	250W	230V	E40	21.000lm	Si, 3x2,5 qmm	M14
SPOT							
4.2202.10.00	HIT-DE	250W	230V	Fc2	22.000	Si, 3x2,5 qmm	J20
VERSIONS: ONLY UNDERWATER OPERATION							
FLOOD							
4.2204.00.00	HIT (E40)	400W	230V	E40	42.000lm	Si, 3x2,5 qmm	M15
4.2206.00.00	HIT-DE	1000W	230V	Kabel	90.000lm	Si, 3x2,5 qmm	M16
SPOT							
4.2204.10.00	HIT-DE	400W	230V	Fc2	36.000	Si, 3x2,5 qmm	J21



IP68

UNDERWATER | EXTERIOR



< Project

Lets Sink, Lunz am See, Switzerland
"sub lumina", Lightinstallation for Show "LETS SINK"
in Lunz am See, Katharina Gruzei, 2013;
Photo & Copyright: Katharina Gruzei

Power supplies

Technical details see from page 234.

Integrated

Integrated

Integrated

Integrated

Integrated

NOTE



pivoting/standing frame inclusive

OPTIONS



Coloured HIT light sources available



POW-LED on request