

4.2013 RETROFIT-INSERTION FOR 4.2000

⚡ UP TO 18600 LUMEN LIGHT INTENSITY
SUSTAINABLE REPLACEMENT FOR 250/400 W HIT

- ☰ · Retrofit insertion for installation in existing spotlights 4.2000
- for retrofitting halogen to LED
- Entirely made of high-quality anodized aluminum
- ...
- POW-LED cold white, warm white, neutral white
- Multichip POW-LED RGB-W
- operating mode mono: constant voltage
- operating mode RGB-W: constant current
- temperature controlled (onboard)
- surge protection
- light distribution especially for swimming pool lighting "asymmetric Mixflux"
- ...
- Delivered ready for connection
- incl. end cover with integrated access port for easy installation
- Constant-voltage power source/RGB-W controller ordered separately
- Supplied with 2 m of special underwater cable



” SAVE 6500 WATTS
PER HOUR.*
IT'S NEVER
BEEN EASIER.



© Campus Sursee, Switzerland; Photo: Samuel Trümpy ▲
© AQUAtoll Neckarsulm, Germany; Photo: Benjamin Pfendt ▼

≈ TYPICAL APPLICATIONS

This retrofit insert is intended for existing 4.2000 type spotlights, which are primarily installed in sports pools. The insert has everything for a hassle-free change to LED. Better lighting power, considerably less consumption, long service life, safety and sophisticated temperature management. The latter is important in order to put the spotlight back into operation in accordance with regulations, namely as a closed unit with a cover plate.

IT HAS NEVER BEEN EASIER. A CHANGE IN 5 STEPS

1. REMOVE OLD SPOTLIGHT UNIT
 2. PUSH-IN THE AND ALIGN THE NEW INSERT
 3. MOUNT THE COVER PLATE
 4. CLOSE THE INSPECTION FLAP
 5. CONNECT TO THE CONTROL DEVICE
- LIGHT ON

*Compared to 24 floodlights in a competition pool with 400 Watt each.

[+] CONFIGURATION

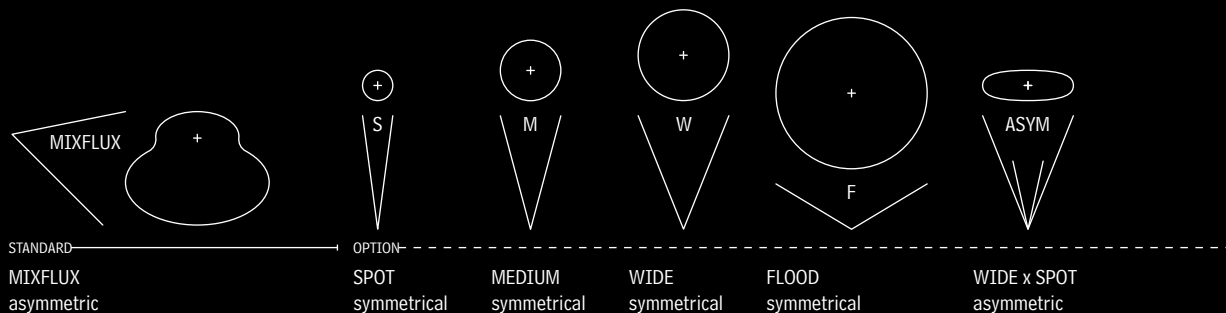
LIGHT COLORS



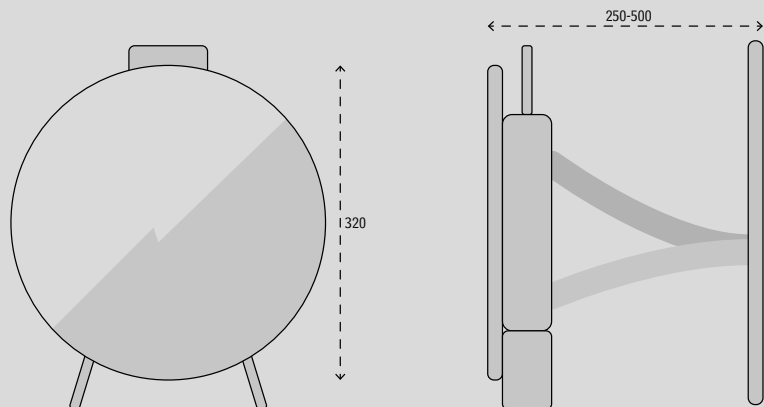
STANDARD

6000K cold white 4500K neutral white 3000K warm white RGB-6000K + cold white RGB-4500K + neutral white RGB-3000K + warm white

BEAM ANGLES

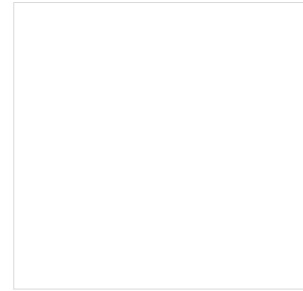


📏 DIMENSIONS



4.2013 RETROFIT-INSERTION FOR 4.2000

ALU	POW-LED INCL.	3.000 K 4.500 K 6.000 K	CONSTANT VOLTAGE — KONSTANT SPANNUNG	CABLE INCL.	max 3m		CE	
-----	------------------	-------------------------------	--	----------------	--------	--	----	--



MONOCHROME ILLUMINATION

#	4.2013.00.11	#	4.2013.00.12	#	4.2013.00.13
COLOR	6000K cold white	COLOR	3000K warm white	COLOR	4500K neutral white
LED	32 POW-LED	LED	32 POW-LED	LED	32 POW-LED
LUMEN	18600 lm	LUMEN	15040 lm	LUMEN	16080 lm
WATT	total 124 W	WATT	total 124 W	WATT	total 124 W
POWER	CV 12 V-DC	POWER	CV 12 V-DC	POWER	CV 12 V-DC
BEAM	asymmetrisch Mixflux	BEAM	asymmetrisch Mixflux	BEAM	asymmetrisch Mixflux
CABLE	UW, 5x1,5 qmm	CABLE	UW, 5x1,5 qmm	CABLE	UW, 5x1,5 qmm
CONNECT	5.0630.20.32 max 1	CONNECT	5.0630.20.32 max 1	CONNECT	5.0630.20.32 max 1

DYNAMIC ILLUMINATION

#	4.2013.00.41	#	4.2013.00.42	#	4.2013.00.43
COLOR	RGB-CW cold white 6000K	COLOR	RGB-CW warm white 3000K	COLOR	RGB-CW neutral white 4500K
LED	32 Multichip POW-LED	LED	32 Multichip POW-LED	LED	32 Multichip POW-LED
LUMEN	cold white: 4640 lm	LUMEN	warm white: 3760 lm	LUMEN	neutral white: 4020 lm
WATT	all on 152 W	WATT	all on 152 W	WATT	all on 152 W
POWER	CC 12 V-DC	POWER	CC 12 V-DC	POWER	CC 12 V-DC
BEAM	asymmetrisch Mixflux	BEAM	asymmetrisch Mixflux	BEAM	asymmetrisch Mixflux
CABLE	UW, 41x0,5 qmm	CABLE	UW, 41x0,5 qmm	CABLE	UW, 41x0,5 qmm
CONNECT	5.0670.59.52 max 1	CONNECT	5.0670.59.52 max 1	CONNECT	5.0670.59.52 max 1