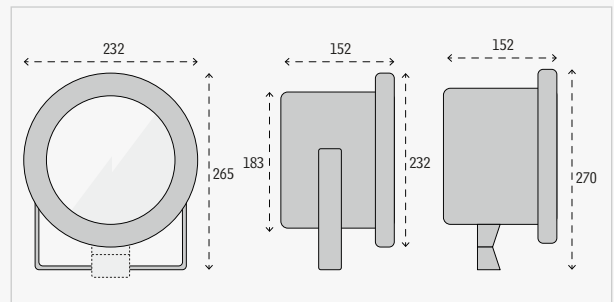


## Surface Spotlight

# 4.0365

- Protection class IP68 – up to 3m water depth
- Protection class IP69 - protection against high pressure and high jet water temperatures
- Entirely made of stainless steel 316Ti 1.4571
- Mounting foot adjustable through 180° or 90°
- ...
- Operating mode: constant current
- POW-LED cold white, warm white, neutral white, CC
- POW-LED RGB
- Operating mode: constant voltage
- POW-LED cold white, warm white, neutral white, CV
- Multichip POW-LED RGB-W
- POW-LED-Platine temperature control (NTC)
- ...
- Cable gland PG16/21, marine grade 316Ti stainless steel
- Temperature-resistant silicon seal
- Toughened safety glass
- Supplied with 3 m cable



## Notes

- Beam Angle: POW-LED: 10°, 30°, 45°
- POW-LED monochrome, single colour in green, red, amber, blue
- Please order the double cable gland for ring assembly separately (not for constant current 350 mA)
- 12 V-DC dimmable with dimming module 5.0690.03.15. Note: Other cable to the spotlight is required. Requires further agreements.
- Water depths of up to 30 m available (Special version)
- Individual configuration of the LED multichips possible
- SALINE version possible - Article number with an additional „S“ at the end

## Additional parts

double cable gland made of V4A-stainless steel <b>4.0004.40.16</b>	glass disc, frosted for softer light distribution (light loss approx. -15%) for lock ring <b>4.0230.01.00</b>	spike Stainless steel, 395 mm, for mounting foot 90° <b>4.0305.50.00</b>
---	--	--

## Monochrome and dynamic illumination

### Under- and overwater operations

Version	#	Color	Lumen	LED	Watt	Power	Beam	Cable	Connect → 208
Standard   180° adjustable	4.0362.00.01	6000K cold white	5940 lm	36 POW-LED	total 43 W	CC 350 mA	30° medium	UW, 6x1,0 + 2x0,5 qmm	5.0635.00.36 max 1
	4.0362.00.02	3000K warm white	4860 lm						
	4.0362.00.03	4500K neutral white	5580 lm						
	4.0362.00.61	6000K cold white	5940 lm						
	4.0362.00.62	3000K warm white	4860 lm						
Standard   90° adjustable	4.0365.00.01	6000K cold white	5940 lm						
	4.0365.00.02	3000K warm white	4860 lm						
	4.0365.00.03	4500K neutral white	5580 lm						
	4.0365.00.61	6000K cold white	5940 lm						
	4.0365.00.62	3000K warm white	4860 lm						
Standard   180° adjustable	4.0362.00.09	RGB		36 POW-LED	all on 43 W	CC 350 mA	30° medium	UW, 6x1,0 + 2x0,5 qmm	5.0635.09.50 max 1
	4.0365.00.09								

### Underwater environments only

Standard   180° adjustable	4.0362.00.41	RGB-CW cold white 6000K	coldwhite: 2720 lm	12 Multichip POW-LED	all on 110 W	12 V DC	30° medium	UW, 2x2,5 + 4x0,5 qmm	5.0670.09.52 max 1
	4.0362.00.42	RGB-WW warm white 3000K	warmwhite: 2095 lm						
	4.0362.00.43	RGB-NW neutral white 4500K	neutralwhite: 2385 lm						
	4.0362.00.44	RGB amber							
Standard   90° adjustable	4.0365.00.41	RGB-CW cold white 6000K	coldwhite: 2720 lm						
	4.0365.00.42	RGB-WW warm white 3000K	warmwhite: 2095 lm						
	4.0365.00.43	RGB-NW neutral white 4500K	neutralwhite: 2385 lm						
	4.0365.00.44	RGB amber							