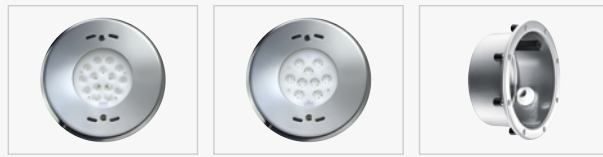


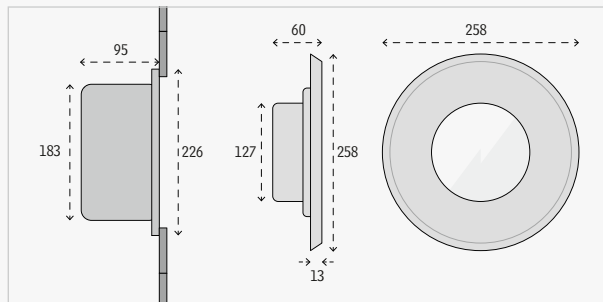
Retrofit Spotlight

4.0299.73

- Protection class IP68 – up to 5m water depth
- Protection class IP69 - protection against high pressure and high jet water temperatures
- Special corrosion-proof version made marine grade 904L stainless steel 1.4539
- For pools with increased saltwater concentration (up to 3.5 %)
- Round attachment cover, made of stainless steel 904L, height 13 mm
- ...
- Operating mode: constant current
 - POW-LED cold white, warm white, neutral white
 - POW-LED royal blue
 - Multichip POW-LED RGB
- Operating mode: constant voltage
 - Multichip POW-LED RGB-W
- Rotationally symmetric light distribution
- ...
- Constant-current power source/RGB controller ordered separately
- Supplied with 3 m of special underwater cable



IP68 IP69	IK08	STAINLESS STEEL V4A 1.4539 904L	3.000 K 4.500 K 6.000 K BLUE	RGB RGB-W	CONSTANT CURRENT CONSTANT VOLTAGE	DALI 1-10 V OPTIONAL DIMM	CABLE INCL.



Additional parts

built in pot of 316L stainless steel with 1,5 m cable duct, cable entry from side, saline version
4.0299.73.00

mounting bracket required for Replacement, saline version
9.0299.73.10

mounting plate Saline version, made of V4A-stainless steel 1.4539, round, ø 310 mm
9.0299.20.73

mounting plate Saline version, made of stainless steel 904L 1.4539, square, 290 x 290 mm
9.0299.40.73

glass disc, frosted for softer light distribution (light loss approx. -15%)
50.4.00109.138

Underwater environments only

Monochrome and dynamic illumination

#	Color	Lumen	LED	Watt	Power	Beam	Cable	Connect → 208
4.0299.73.11	6000K cold white	3450 lm	15 POW-LED	total 42 W	CC 3500mA @12 V-DC	120° flood	UW, 2x2,5 qmm	5.0670.00.15 max 1 5.0670.11.15 max 1
4.0299.73.12	3000K warm white	2850 lm						
4.0299.73.13	4500K neutral white	3225 lm						
4.0299.73.16	royal blue	650 mW/LED						
4.0299.73.19	RGB		9 Multichip POW-LED	all on 85 W	CC 700mA @12 V-DC	120° flood	UW, 6x1,0 + 2x0,5 qmm	5.0670.19.24 max 1
4.0299.73.41	RGB-CW cold white 6000K	coldwhite: 1590 lm	6 Multichip POW-LED	all on 60 W	CV 12 V-DC	diffus	UW, 2x2,5 + 4x0,5 qmm	5.0670.09.52 max 2
4.0299.73.42	RGB-WW warm white 3000K	warmwhite: 1220 lm						
4.0299.73.43	RGB-NW neutral white 4500K	neutralwhite: 1390 lm						
4.0299.73.44	RGB amber							

Notes

- POW-LED with beam angle spot 10°, medium 30° and wide 45° on request
- POW-LED monochrome, single colour in green, red, amber, turquoise, capriblue
- Version for the replacement of existing PAR56 lights. All common manufacturers available (cover with different hole pitch circles).
- Version without Scatter disc at RGB-W
- A new mounting bracket is required (9.0299.73.10)