



RECESSED SPOTLIGHT 4.0291

UNDERWATER

IP68



- › New development
- › Equivalent replacement for halogen (400 W)
- › Up to 6900 lumen light intensity





4.0291 | RETROFIT-SPOTLIGHT

FOR RETROFITTING IN EXISTING SWIMMING POOLS WITH EXISTING WIBRE INSTALLATION HOUSING. AS RETROFIT FOR MANY OTHER BRANDS.

IP68	STAINLESS STEEL V4A 1.4571 316Ti	POW-LED INCL.	3.000 K 4.500 K 6.000 K BLUE	RGB-W	CONSTANT CURRENT KONSTANT STROM	DALI 1-10 V OPTIONAL DIMM	CABLE EXCL.	max 5m	↕	↔	☑	CE	III
------	--	---------------	---------------------------------------	-------	------------------------------------	------------------------------	-------------	--------	---	---	---	----	-----



NEW SERIES
CENTUM°
LIGHT UNDERWATER.
REDEFINED.
INFO ON PAGE 6

NEW

- Protection class IP68 – up to 5m water depth
- Entirely made of stainless steel 316Ti 1.4571, epolished
- Round attachment cover, made of stainless steel 316Ti, height 13 mm
- ...
- POW-LED cold white, warm white, neutral white
- POW-LED royal blue
- Multichip POW-LED RGB-W
- operating mode: constant current
- temperature controlled (onboard)
- surge protection
- light distribution especially for swimming pool lighting "asymmetric Mixflux"
- ...
- Constant-current power source/RGB-W-controller ordered separately
- Supplied without cable



+ ADDITIONAL PARTS

2x2,5 qmm
ø 8,0 mm, per m
9.6150.02.25

1x4,0 + 4x1,0 + 2x0,25 qmm
ø 10,7 mm, per m
9.6150.04.41

2x4,0 qmm
ø 9,7 mm, per m
9.6150.02.40

DMX-Dongle
load resistance 120 Ohm
5.0670.09.65

Fixation bracket
for built-in pot 4.0274 (Spotlight 4.0271, 4.0272, 4.0291)
9.0274.00.10

TIPP mounting housing
plastic, IP65, with 2 in/1 out, transparent cover,
suitable for power supply 5.0630.01.12 and RGB-W Controller 5.0630.09.52
9.0630.65.12

★ PRODUCT LINE

4.0291.73 – Retrofit Saline
Recessed spotlights
(underwater)
> Page 22

4.0292 – Standard
Recessed spotlights
(underwater)
> Page 10

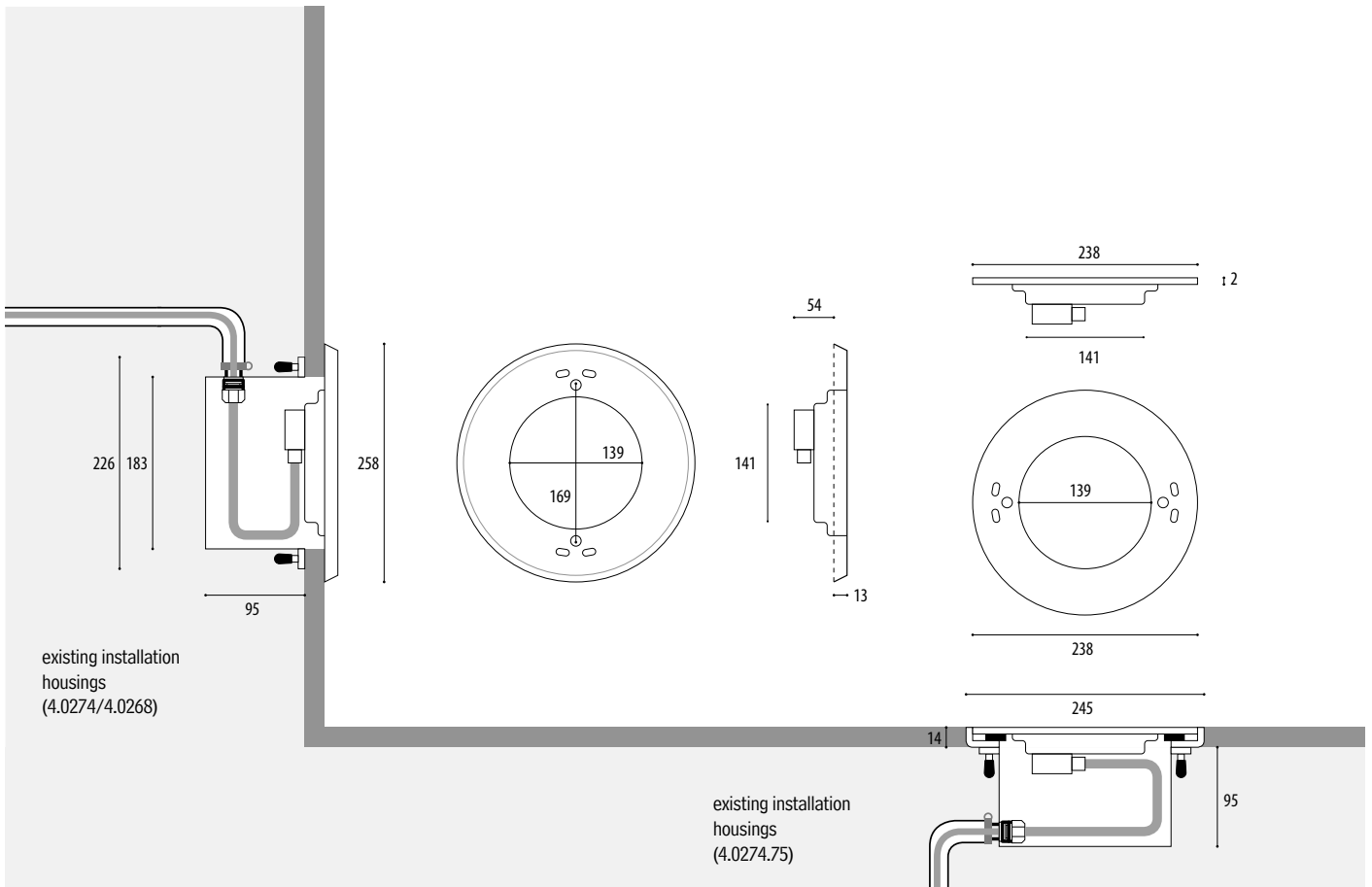
4.0292.73 – Standard Saline
Recessed spotlights
(underwater)
> Page 14



RECESSED SPOTLIGHT 4.0291

UNDERWATER

IP68



Article number	Lamps	Lumen	Light colour	Wattage	Current	Radation angle
----------------	-------	-------	--------------	---------	---------	----------------

ONLY UNDERWATER OPERATION

STANDARD VERSION - RETROFIT INSTALLATION FOR INSTALLATION HOUSING 4.0274/4.0268

4.0291.00.11	12 POW-LED	6900 lm	6000K cold white	total 47 W	CC 3600mA @12 V-DC	asymmetrisch Mixflux
4.0291.00.12	12 POW-LED	5640 lm	3000K warm white	total 47 W	CC 3600mA @12 V-DC	asymmetrisch Mixflux
4.0291.00.13	12 POW-LED	6036 lm	4500K neutral white	total 47 W	CC 3600mA @12 V-DC	asymmetrisch Mixflux
4.0291.00.16	48 POW-LED		500mW/LED royal blue 450 nm	total 49,5 W	CC 3600mA @12 V-DC	asymmetrisch Mixflux
4.0291.00.41	12 Multichip POW-LED	cold white: 2100 lm	RGB-CW cold white 6000K	all on 75 W	CC 1400mA @12 V-DC	asymmetrisch Mixflux
4.0291.00.42	12 Multichip POW-LED	warm white: 1800 lm	RGB-WW warm white 3000K	all on 75 W	CC 1400mA @12 V-DC	asymmetrisch Mixflux
4.0291.00.43	12 Multichip POW-LED	neutral white: 1920 lm	RGB-NW neutral white 4500K	all on 75 W	CC 1400mA @12 V-DC	asymmetrisch Mixflux

FLUSH MOUNTED VERSION - RETROFIT INSTALLATION FOR INSTALLATION HOUSING 4.0274.75

4.0291.75.11	12 POW-LED	6900 lm	6000K cold white	total 47 W	CC 3600mA @12 V-DC	asymmetrisch Mixflux
4.0291.75.12	12 POW-LED	5640 lm	3000K warm white	total 47 W	CC 3600mA @12 V-DC	asymmetrisch Mixflux
4.0291.75.13	12 POW-LED	6036 lm	4500K neutral white	total 47 W	CC 3600mA @12 V-DC	asymmetrisch Mixflux
4.0291.75.16	48 POW-LED		500mW/LED royal blue 450 nm	total 49,5 W	CC 3600mA @12 V-DC	asymmetrisch Mixflux
4.0291.75.41	12 Multichip POW-LED	cold white: 2100 lm	RGB-CW cold white 6000K	all on 75 W	CC 1400mA @12 V-DC	asymmetrisch Mixflux
4.0291.75.42	12 Multichip POW-LED	warm white: 1800 lm	RGB-WW warm white 3000K	all on 75 W	CC 1400mA @12 V-DC	asymmetrisch Mixflux
4.0291.75.43	12 Multichip POW-LED	neutral white: 1920 lm	RGB-NW neutral white 4500K	all on 75 W	CC 1400mA @12 V-DC	asymmetrisch Mixflux



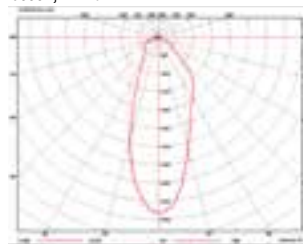
RECESSED SPOTLIGHT 4.0291



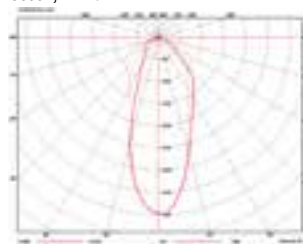
IP68

UNDERWATER

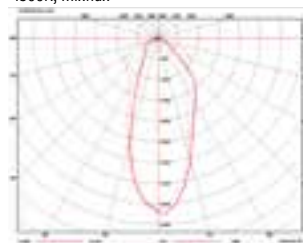
6000K, Mixflux



3000K, Mixflux



4500K, Mixflux



< Project
Actionbad Kokpunkten, Västerås, Sweden; Partner: Malux Sweden

NOTE

! Versions with plastic component for retrofit installations available. For wall installation or flexible use on the edge of the pool.

! Spotlights without connected cable for simple retrofitting of halogen to POW LED with use of the existing 2-pin cable (Only monochrome, cross section min. 2x2.5qmm). The cable can be connected to the connection box without opening the spotlight. Always observe the separate manual instructions.

RGB-W In case of retrofitting to RGB-W version, the cable must be replaced with special underwater cable (9.6150.04.41).

! Existing transformers must be replaced by appropriate power supply units and RGBW-controllers.

SOLE SALINE Version for saline water see page 22

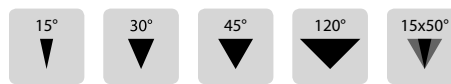
Power supplies Technical details see from page 234.

5.0630.01.12		5.0630.03.12		5.0630.10.12	
5.0630.01.12	Constant Current power supply, dimmable, max 1 spotlights	5.0630.03.12	Constant Current power supply, dimmable, max 3 spotlights	5.0630.10.12	Constant Current power supply, IP65, not dimmable, max 1 spotlights
5.0630.01.12		5.0630.03.12		5.0630.10.12	
5.0630.01.12		5.0630.03.12		5.0630.10.12	
5.0630.09.52	RGB-W-Controller, max 1 spotlights				
5.0630.09.52					
5.0630.09.52					

5.0630.01.12		5.0630.03.12		5.0630.10.12	
5.0630.01.12	Constant Current power supply, dimmable, max 1 spotlights	5.0630.03.12	Constant Current power supply, dimmable, max 3 spotlights	5.0630.10.12	Constant Current power supply, IP65, not dimmable, max 1 spotlights
5.0630.01.12		5.0630.03.12		5.0630.10.12	
5.0630.01.12		5.0630.03.12		5.0630.10.12	
5.0630.09.52	RGB-W-Controller, max 1 spotlights				
5.0630.09.52					
5.0630.09.52					

OPTIONS

Possible beam angle POW-LED



POW-LED monochrome, single colour in green, red, amber, blue, capri blue, 2700K

CUSTOM MADE Individual configuration of the LED multichips possible