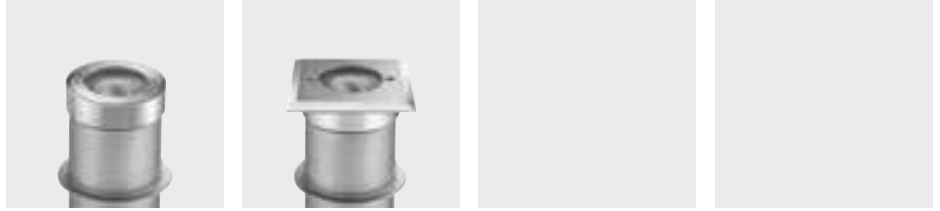




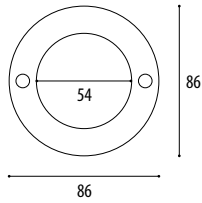
# RECESSED SPOTLIGHT 4.0091

EXTERIOR

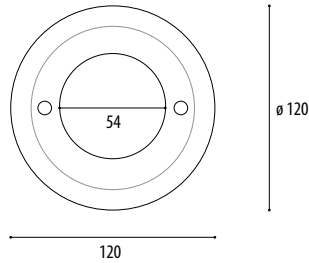
IP67



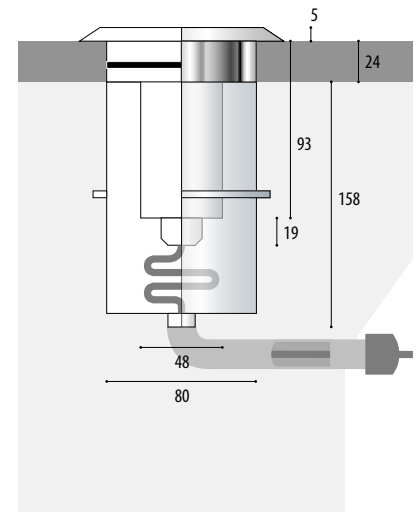
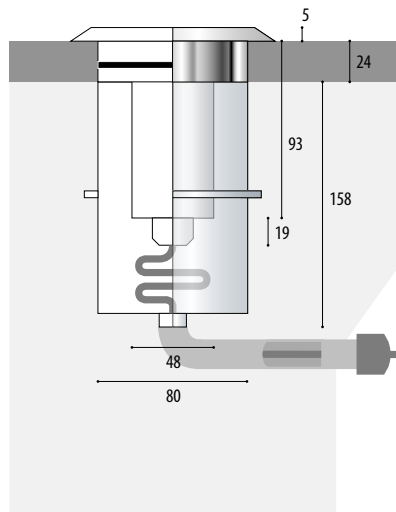
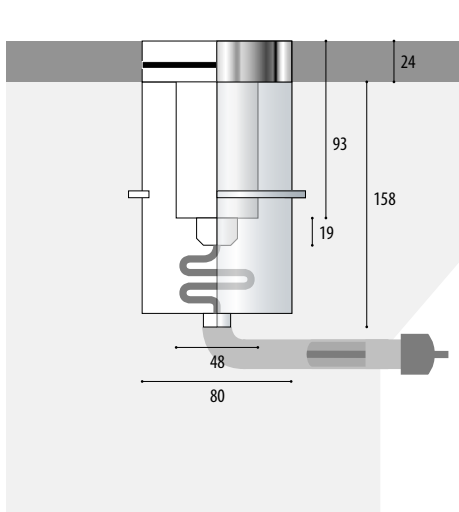
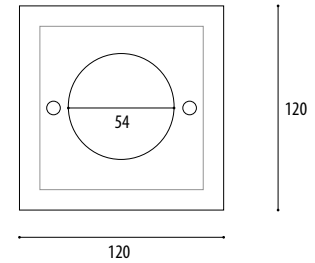
**F**



**R**



**S**



<b>F</b>	<b>R</b>	<b>S</b>	Lamps	Lumen	Light colour	Wattage	Current	Socket	Temperature	Radiation angle	Cable, installs	[V]
POW-LED												
<b>4.0091.10.11</b>	<b>4.0091.20.11</b>	<b>4.0091.40.11</b>	3 POW-LED	495 lm	6000K cold white	total 5 W	CC 350 mA		<40°C	30° medium	UW, 2x1,5 qmm	V33
<b>4.0091.10.12</b>	<b>4.0091.20.12</b>	<b>4.0091.40.12</b>	3 POW-LED	405 lm	3000K warm white	total 5 W	CC 350 mA		<40°C	30° medium	UW, 2x1,5 qmm	
<b>4.0091.10.13</b>	<b>4.0091.20.13</b>	<b>4.0091.40.13</b>	3 POW-LED	465 lm	4500K neutral white	total 5 W	CC 350 mA		<40°C	30° medium	UW, 2x1,5 qmm	
<b>4.0091.10.14</b>	<b>4.0091.20.14</b>	<b>4.0091.40.14</b>	3 POW-LED		yellow	total 5 W	CC 350 mA		<40°C	30° medium	UW, 2x1,5 qmm	
<b>4.0091.10.15</b>	<b>4.0091.20.15</b>	<b>4.0091.40.15</b>	3 POW-LED		red	total 5 W	CC 350 mA		<40°C	30° medium	UW, 2x1,5 qmm	
<b>4.0091.10.16</b>	<b>4.0091.20.16</b>	<b>4.0091.40.16</b>	3 POW-LED		blue	total 5 W	CC 350 mA		<40°C	30° medium	UW, 2x1,5 qmm	
<b>4.0091.10.17</b>	<b>4.0091.20.17</b>	<b>4.0091.40.17</b>	3 POW-LED		green	total 5 W	CC 350 mA		<40°C	30° medium	UW, 2x1,5 qmm	
<b>4.0091.10.19</b>	<b>4.0091.20.19</b>	<b>4.0091.40.19</b>	3 POW-LED		RGB	all on 5 W	CC 350 mA		<40°C	30° medium	Si, 6x0,5 qmm	
QR-CB51												
<b>4.0091.10.20</b>	<b>4.0091.20.20</b>	<b>4.0091.40.20</b>	QR-CBC51 (IRC)	300	3000K	20W	12V-AC	GU5,3	80°	36°	Si, 2x1,5 qmm	C63
<b>4.0091.10.35</b>	<b>4.0091.20.35</b>	<b>4.0091.40.35</b>	QR-CBC51 (IRC)	620	3000K	35W	12V-AC	GU 5,3	90°	36°	Si, 2x1,5 qmm	C73
QPAR16												
<b>4.0091.10.51</b>	<b>4.0091.20.51</b>	<b>4.0091.40.51</b>	QPAR16			35W	230V	GU10	90°C	35°	Si, 3x1,5 qmm	G11



# 4.0091 | RECESSED SPOTLIGHT

FOR LIGHTING AND ACCENTUATING EXTERIOR, FAÇADES, BUILDINGS, TREES AND PUBLIC SPACES.

IP67
STAINLESS STEEL V4A  
1.4571  
316Ti
POW-LED INCL.
3.000 K  
4.500 K  
6.000 K  
COLOR
RGB
CONSTANT CURRENT  
KONSTANT STROM
CABLE INCL.
1.5t
↑
↻
↕
↔
↔
⊙
CE
III



- Protection system IP67
- Entirely made of stainless steel 316Ti 1.4571
- with installation housing made of stainless steel 316Ti
- Flush-mounted, round and square cover, height 5 mm
- ...
- POW-LED cold white, warm white, neutral white
- POW-LED closed
- POW-LED RGB
- operating mode: constant current
- low voltage halogen QR-CB51 ES 12 V-AC
- High voltage QPAR16
- ...
- Temperature-resistant silicon seal
- Toughened safety glass (ESG) – withstands loads of up to 1500 kg
- Cable gland PG11, nickel-plated brass
- Supplied with cable (3 m) already connected, light source and installation housing made of marine grade 316L stainless steel with 1.5m cable protection tube

## + ADDITIONAL PARTS

 glass disc, frosted  
for softer light distribution (light loss approx. -15%)  
**4.0093.01.00**

 Anti-skid coating  
**4.0093.02.00**

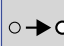
Power supplies Technical details see from page 234.

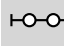
<b>5.0635.65.03</b>	<b>5.0635.65.10</b>	<b>5.0635.65.20</b>
<b>5.0635.65.03</b>	<b>5.0635.65.10</b>	<b>5.0635.65.20</b>
<b>5.0635.65.03</b>	<b>5.0635.65.10</b>	<b>5.0635.65.20</b>
<b>5.0635.65.03</b>	<b>5.0635.65.10</b>	<b>5.0635.65.20</b>
<b>5.0635.65.03</b>	<b>5.0635.65.10</b>	<b>5.0635.65.20</b>
<b>5.0635.65.03</b>	<b>5.0635.65.10</b>	<b>5.0635.65.20</b>
<b>5.0635.65.03</b>	<b>5.0635.65.10</b>	<b>5.0635.65.20</b>
<b>5.0635.09.16</b>	RGB-Controller, max 4 spotlights	

**5.0098.00.00** Transformer, max 2 spotlights  
**5.0098.00.00** Transformer, max 1 spotlights

Integrated

## ! NOTE

 Updated version available: 4.0071 – Page 170

 POW-LED, series-connected


## ⚙️ OPTIONS


Possible beam angle POW-LED



Possible beam angle HALOGENE



 Special brass covers  
**CUSTOM MADE**

 Coloured QR-CB51 light sources