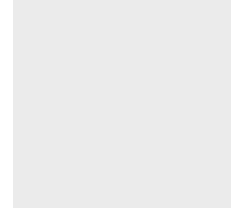
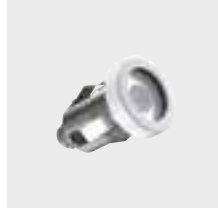




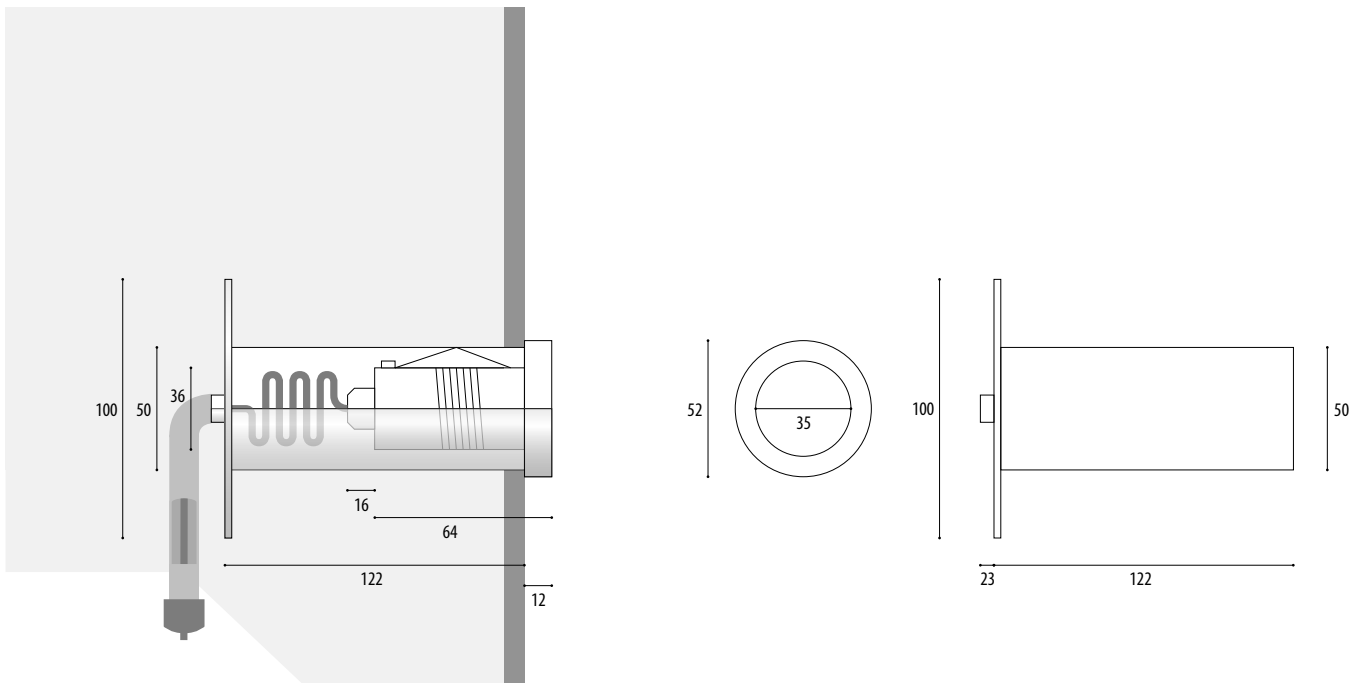
RECESSED SPOTLIGHT 4.0087

UNDERWATER

IP68



Installation housing



Article number	Lamps	Lumen	Light colour	Wattage	Current	Socket	Radiation angle	Cable, installs	[V]
----------------	-------	-------	--------------	---------	---------	--------	-----------------	-----------------	-----

VERSIONS: ONLY UNDERWATER OPERATION

HALOGEN

4.0087.00.35	QR-CBC35	430	3000K	35W	12V-AC	GU4	36°	Si, 2x1,5 qmm	C15
---------------------	----------	-----	-------	-----	--------	-----	-----	---------------	-----

VERSIONS: UNDER- AND OVERWATER OPERATION (ACCORDING TO PRIOR AGREEMENT)

POW-LED

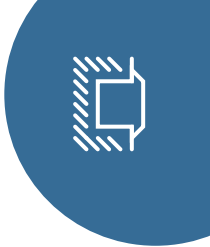
4.0087.00.01	1 POW-LED	165 lm	6000K cold white	total 2 W	CC 350 mA		10° spot	UW, 2x1,5 qmm	V12
4.0087.00.02	1 POW-LED	100 lm	3000K warm white	total 2 W	CC 350 mA		10° spot	UW, 2x1,5 qmm	
4.0087.00.03	1 POW-LED	110 lm	4500K neutral white	total 2 W	CC 350 mA		10° spot	UW, 2x1,5 qmm	
4.0087.00.04	1 POW-LED		yellow	total 2 W	CC 350 mA		10° spot	UW, 2x1,5 qmm	
4.0087.00.05	1 POW-LED		red	total 2 W	CC 350 mA		10° spot	UW, 2x1,5 qmm	
4.0087.00.06	1 POW-LED		blue	total 2 W	CC 350 mA		10° spot	UW, 2x1,5 qmm	
4.0087.00.07	1 POW-LED		green	total 2 W	CC 350 mA		10° spot	UW, 2x1,5 qmm	

HALOGEN

4.0087.00.20	QR-CBC35	210		20W	12V-AC	GU4	36°	Si, 2x1,5 qmm	C13
---------------------	----------	-----	--	-----	--------	-----	-----	---------------	-----

INSTALLATION HOUSING

4.0089.00.00	Installation housing out of 316L stainless steel with 1.5m cable protection tube and terminating cable gland (M20 plastic)								
---------------------	--	--	--	--	--	--	--	--	--



4.0087 | RECESSED-SPOTLIGHT

FOR ACCENTUATION IN SMALL POOLS AND WHIRLPOOLS.

IP68
STAINLESS STEEL V4A
1.4571 316Ti
POW-LED INCL.
3.000 K
4.500 K
6.000 K
COLOR
CONSTANT CURRENT
KONSTANT STROM
CABLE INCL.

CE



- Protection class IP68 – up to 10 m water depth
- Entirely made of stainless steel 316Ti 1.4571
- ...
- POW-LED cold white, warm white, neutral white
- POW-LED clood
- operating mode: constant current
- low voltage halogen QR-CB35 12 V-AC
- ...
- For concrete pools, in walls or steps with an installation housing (4.0089, not included)
- Cable gland PG9, marine grade 316L stainless steel
- Supplied with light source and UW-cable (3 m) already connected

Power supplies Technical details see from page 234.

5.0098.00.00 Transformer, max 1 spotlights

5.0635.65.03		5.0635.65.10	
5.0635.65.03		5.0635.65.10	
5.0635.65.03		5.0635.65.10	
5.0635.65.03	Constant Current power supply, max 3 spotlights	5.0635.65.10	Constant Current power supply, max 6 spotlights
5.0635.65.03		5.0635.65.10	
5.0635.65.03		5.0635.65.10	

5.0098.00.00 Transformer, max 2 spotlights

NOTE

Please order the installation housing (4.0089) separately

POW-LED, series-connected

OPTIONS

Possible beam angle POW-LED

POW-LED RGB available

White cover on request