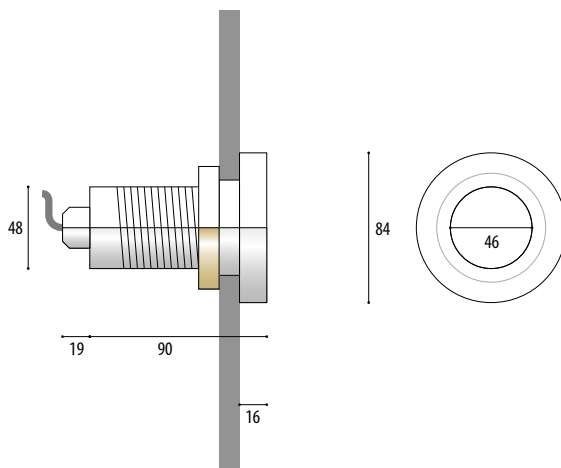
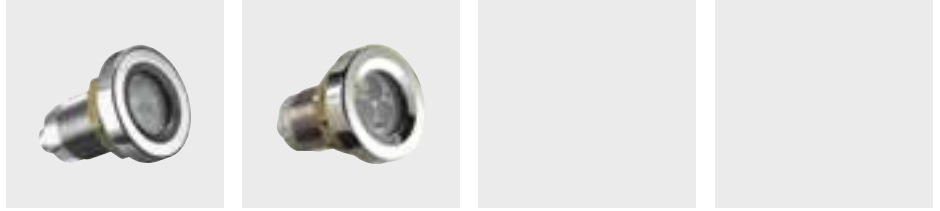




RECESSED SPOTLIGHT 4.0080

UNDERWATER

IP68



Article number	Lamps	Lumen	Light colour	Wattage	Current	Socket	Radiation angle	Cable, installs	[V]
----------------	-------	-------	--------------	---------	---------	--------	-----------------	-----------------	-----

VERSIONS: ONLY UNDERWATER OPERATION

POW-LED

4.0080.00.11	3 POW-LED	915 lm	6000K cold white	total 9 W	CC 700 mA		30° medium	UW, 2x1,5 qmm	W33
4.0080.00.12	3 POW-LED	750 lm	3000K warm white	total 9 W	CC 700 mA		30° medium	UW, 2x1,5 qmm	W33
4.0080.00.13	3 POW-LED	855 lm	4500K neutral white	total 9 W	CC 700 mA		30° medium	UW, 2x1,5 qmm	

HALOGEN

4.0080.00.35	QR-CBC51	430	3000K	35W	12V-AC	GU5,3	36°	Si, 2x1,5 qmm	C33
4.0080.00.50	QR-CBC51	680	3000K	50W	12V-AC	GU5,3	36°	Si, 2x1,5 qmm	C43

VERSIONS: UNDER- AND OVERWATER OPERATION (ACCORDING TO PRIOR AGREEMENT)

POW-LED

4.0080.00.14	3 POW-LED		yellow	total 5 W	CC 350 mA		30° medium	UW, 2x1,5 qmm	
4.0080.00.15	3 POW-LED		red	total 5 W	CC 350 mA		30° medium	UW, 2x1,5 qmm	
4.0080.00.16	3 POW-LED		blue	total 5 W	CC 350 mA		30° medium	UW, 2x1,5 qmm	
4.0080.00.17	3 POW-LED		green	total 5 W	CC 350 mA		30° medium	UW, 2x1,5 qmm	
4.0080.00.19	3 POW-LED		RGB	all on 5 W	CC 350 mA		30° medium	Si, 6x0,5 qmm	

HALOGEN

4.0080.00.20	QR-CBC51	210	3000K	20W	12V-AC	GU5,3	36°	Si, 2x1,5 qmm	C22
---------------------	----------	-----	-------	-----	--------	-------	-----	---------------	-----



4.0080 | RECESSED SPOTLIGHT

FOR ILLUMINATING AND ACCENTUATING SMALLER THIN WALLED SWIMMING POOLS AND JACUZZIS.

IP68	STAINLESS STEEL V4A 1.4571 316Ti	POW-LED INCL.	3.000 K 4.500 K 6.000 K COLOR	CONSTANT CURRENT KONSTANT STROM	CABLE INCL.				CE	
------	--	---------------	--	------------------------------------	-------------	--	--	--	----	--



- Protection class IP68 – up to 10 m water depth
- Entirely made of stainless steel 316Ti 1.4571
- ...
- POW-LED cold white, warm white, neutral white
- POW-LED clood
- POW-LED RGB
- operating mode: constant current
- low voltage halogen QR-CB51 ES 12 V-AC
- ...
- With screw-type flange for pre-fabricated pools or containers
- Cable gland PG11, marine grade 316Ti stainless steel
- Supplied with light source and cable (3 m) already connected

Power supplies Technical details see from page 234.

5.0670.65.10	Constant Current power supply, max 1 spotlights	5.0670.65.20	Constant Current power supply, max 2 spotlights
5.0670.65.10		5.0670.65.20	
5.0670.65.10		5.0670.65.20	

5.0098.00.00	Transformer, max 1 spotlights
5.0098.00.00	Transformer, max 1 spotlights

5.0635.65.03	Constant Current power supply, max 1 spotlights	5.0635.65.10	Constant Current power supply, max 2 spotlights
5.0635.65.03		5.0635.65.10	
5.0635.65.03		5.0635.65.10	
5.0635.09.16		5.0635.09.24	
	RGB-Controller, max 4 spotlights		RGB-Controller, max 6 spotlights

5.0098.00.00	Transformer, max 2 spotlights
---------------------	-------------------------------

NOTE

POW-LED, series-connected

OPTIONS

Possible beam angle POW-LED



Possible beam angle HALOGENE

